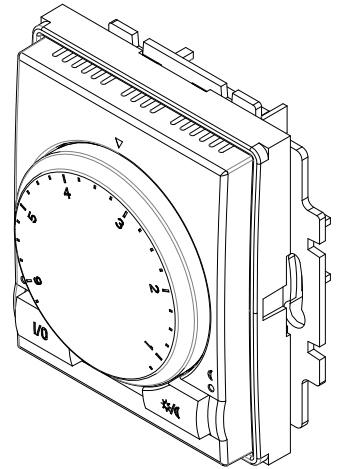


# AMR-OP41/xx

Programmable on-wall controller

- Room temperature measurement
- 1 × rotating controller
- 2 × button
- 2 × LED
- MODBUS RTU / ARION (RS485) communication
- ABB Time / Time Arbo / Element design
- Possibility of user programming



## TECHNICAL DATA

<b>Temperature measuring</b>	Electronically
Measuring range	-55 °C to +125 °C <sup>1)</sup>
Temperature measuring precision	±0.5 °C (0 °C to 50 °C)
Settling time	< 20 s
<b>Control</b>	1 × rotating controller 2 × button
<b>Communication</b>	1 × RS485
Galvanic isolation	No
Number of segment units	256
<b>Power supply</b>	10 V DC to 30 V DC
Maximum power consumption	40 mA at 24 V DC
<b>Others</b>	
Ingress protection rate	IP20
Operating temperature range	-10 °C to 50 °C
Maximum ambient humidity	< 95 % non-condensing
Mounting	Into junction box KU68 with frame
Frame design	ABB Time / Time Arbo / Element
Weight	0.054 kg
Dimensions	(71 × 71 × 39) mm <sup>2)</sup>
<b>Application software</b>	TA_OP41_FW01AM_XXX <sup>3)</sup>
<b>Programming</b>	DetStudio / EsiDet

<sup>1)</sup> Sensing element parameter, the working temperature range of on-wall controller is lower.

<sup>2)</sup> Final dimensions depend on frame type.

<sup>3)</sup> Application program is free to download from [www.amitautomation.com](http://www.amitautomation.com).

## ORDERING INFORMATION

AMR-OP41/xx <sup>1)</sup>	On-wall controller
---------------------------	--------------------

<sup>1)</sup> xx stands for colour design, see table on the next page.

Label	Colour design
AMR-OP41/01	White/ice white, Time/Element
AMR-OP41/03	White/white, Time/Element
AMR-OP41/04	White/ice grey, Element
AMR-OP41/07	Caramel/ice grey, Element
AMR-OP41/08	Titanium, Time
AMR-OP41/21	Ivory/ice white, Element
AMR-OP41/22	Agave/ice white, Element
AMR-OP41/24	Crimson/ice grey, Element
AMR-OP41/25	Coffee/ice opal, Element
AMR-OP41/32	Old silver, Time
AMR-OP41/33	Champagne, Time
AMR-OP41/34	Anthracite, Time
AMR-OP41/36	Steel, Time


Note: recess on the surface and colour inhomogeneity are not a reason for warranty claim.

## TERMINALS IDENTIFICATION

Terminal	Signal	Description
1	V+	Power supply +24 V DC
2	G	Ground
3	B	RS485 interface, signal B
4	A	RS485 interface, signal A

## RECOMMENDED DRAWING SYMBOL

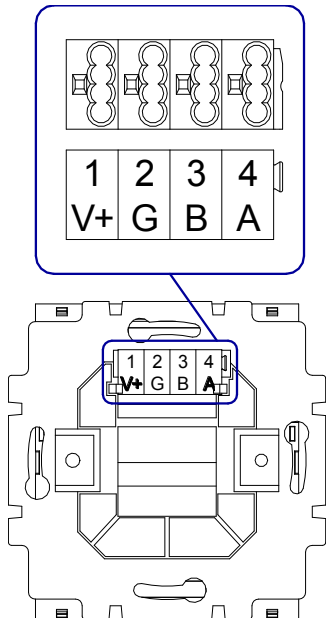
# AMR-OP41/xx



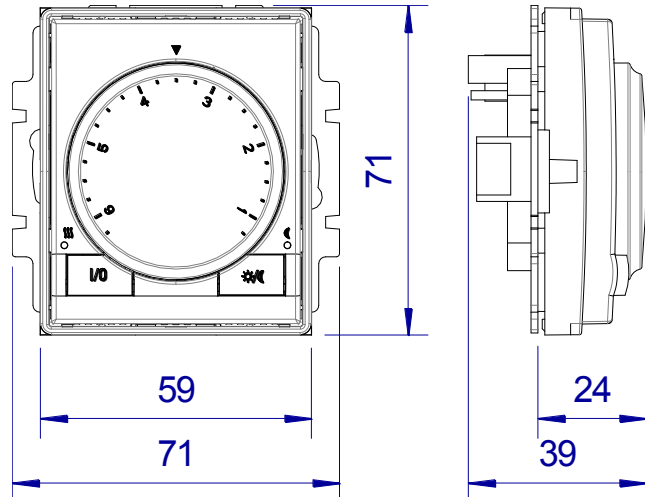
## PWR, RS485

1	V+
2	G
3	B
4	A

## LOCATION OF TERMINALS



## MECHANICAL DIMENSIONS



Data provided in this datasheet are informative only. Detailed information can be found in operational manual ([amr-op41xx\\_g\\_en\\_xxx.pdf](#)).

Documentation and examples can be downloaded from [www.amitautomation.com](http://www.amitautomation.com).