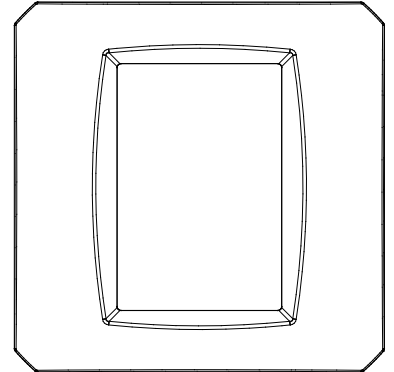


# AMR-OP70C/xx

Programmable on-wall controller

- LCD monochrome graphical display
- Touch screen
- Communication interface RS485
- Room temperature measurement
- CO<sub>2</sub> concentration measurement
- Acoustic signalisation (application driven)
- On-wall mounting
- Power supply 24 V DC



## TECHNICAL DATA

<b>Display</b>	Graphical monochrome LCD
Resolution	(64 × 132) pixels (asymmetric point)
Display area	(58 × 38) mm
Backlight / lifetime	LED / min. 50 000 hours <sup>1)</sup>
<b>Temperature measurement</b>	Semiconductor sensor
Measurement range	-55 °C to 125 °C <sup>2)</sup>
Measurement accuracy	±2 °C (-55 °C to 0 °C) ±0.5 °C (0 °C to 50 °C) ±2 °C (50 °C to 125 °C)
Settling time	45 min. <sup>3)</sup>
<b>CO<sub>2</sub> concentration measurement</b>	NDIR
Measurement range	400 ppm to 3000 ppm
Measurement accuracy	±150 ppm
Settling time	90 s
<b>Acoustic signalisation</b>	Piezo
<b>Control</b>	Resistive touch panel
<b>Communication</b>	RS485
Galvanic isolation	No
Number of devices on RS485 segment	256
<b>Power supply</b>	10 V DC to 30 V DC
Maximum power consumption	40 mA at 24 V DC
<b>Others</b>	
Connection points	CHF5/2 terminal
Ingress protection rate	IP20
Operating temperature range	-10 °C to 50 °C
Maximum ambient humidity	< 95 %, non-condensing
Mounting	On the wall
Weight	0.10 kg
Dimensions (w × h × d)	(90 × 90 × 32) mm
<b>Programming</b>	DetStudio / EsiDet

<sup>1)</sup> Luminance drop to 50 %.

<sup>2)</sup> Sensor characteristic, the operating temperature range of on-wall controller is lower.

<sup>3)</sup> Time from power-up, in this time, the accuracy of measurement is reduced to ±2 °C.

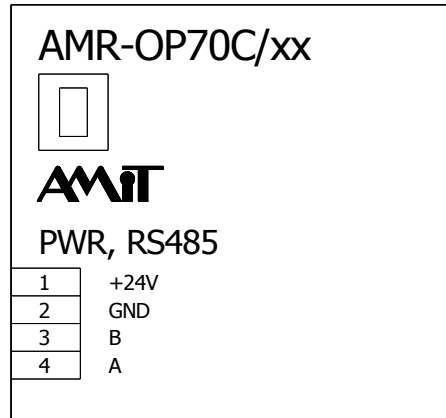
## ORDERING INFORMATION

AMR-OP70C/xx	On-wall controller
--------------	--------------------

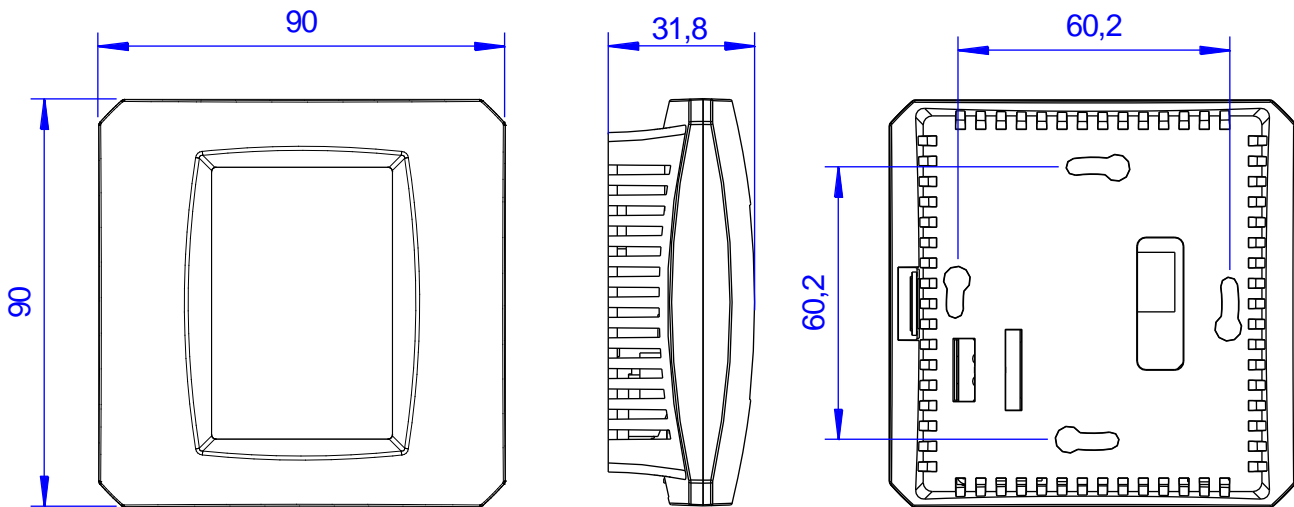
	Colour of the tub		Colour of the cover	
	<b>AMR-OP70C/01</b>	gray	RAL 7005	white
<b>AMR-OP70C/02</b>	ivory	RAL 1013	ivory	RAL 1013
<b>AMR-OP70C/03</b>	gray	RAL 7005	gray	RAL 7005
<b>AMR-OP70C/04</b>	white	RAL 9003	white	RAL 9003

Note: Small depressions at the surface and colour inhomogeneity are not grounds for warranty claim.

### RECOMMENDED DRAWING SYMBOL



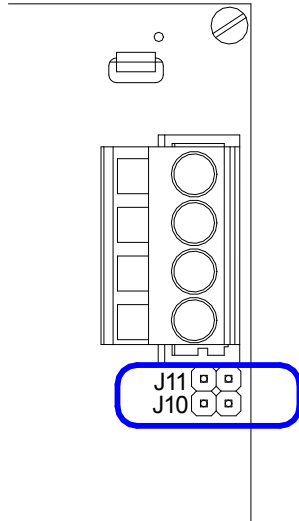
### PHYSICAL DIMENSIONS



# AMR-OP70C/xx

Programmable on-wall controller

## RS485 CONFIGURATION JUMPERS



Each unit on communication line RS485 must have correctly set termination resistor. To set the termination, the configuration jumpers located beside the RS485 connector are used. If the configuration jumpers are set, the termination is connected. The terminal stations on the line must always have connected the termination, continuously disconnected.

Jumper	Meaning
J10	Idle state + Signal A termination
J11	Idle state + Signal B termination

Data provided in this datasheet are only informative. Detailed information can be found in operational manual ([amr-op70cxx\\_g\\_en\\_xxx.pdf](#)). Documentation can be downloaded from [www.amitautomation.com](http://www.amitautomation.com) web site.